

aquatica®

Function : Form : Fashion



Spring RC-450/200

Wall-Mounted Shower Head

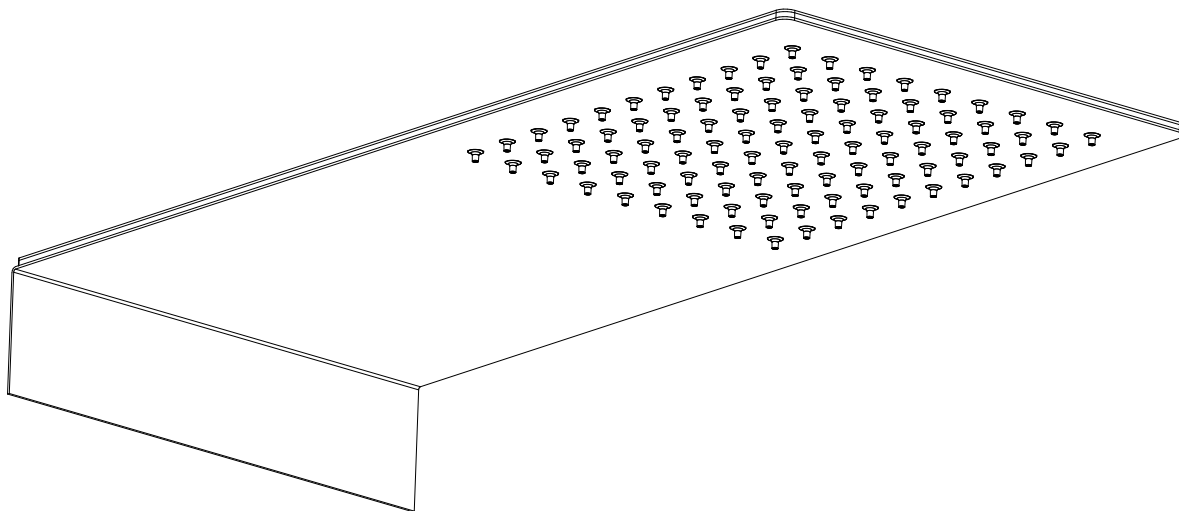
Installation & Care Manual

Europe / International

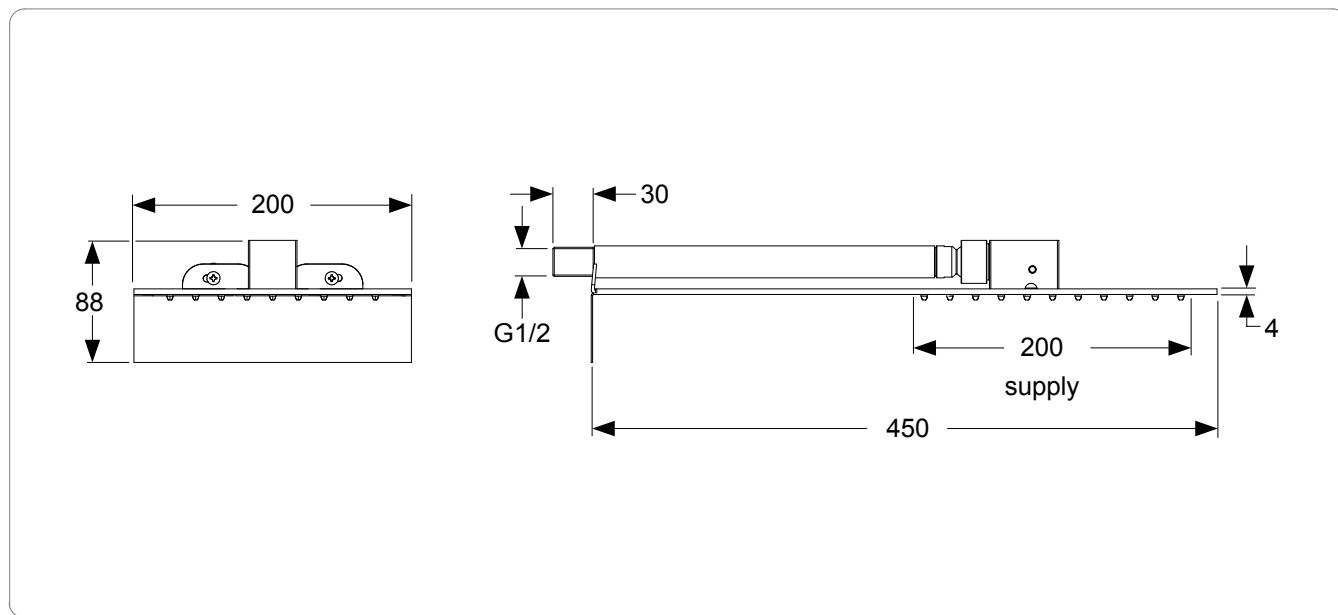
Spring RC-450/200

Wall-Mounted Shower Head

PARTS LIST



 MEASUREMENTS: mm



SPECIFICATIONS

Recommended operational pressure	1-5 bar
Maximum test pressure	16 bar
Maximum hot water temperature	80 °C
Recommended temperature	50-60 °C
Pressure difference between hot and cold water	max. 1,5 bar

IMPORTANT NOTE

- Installation to be performed by qualified personnel
- Before connecting to mains, bleed the pipes to avoid damage.



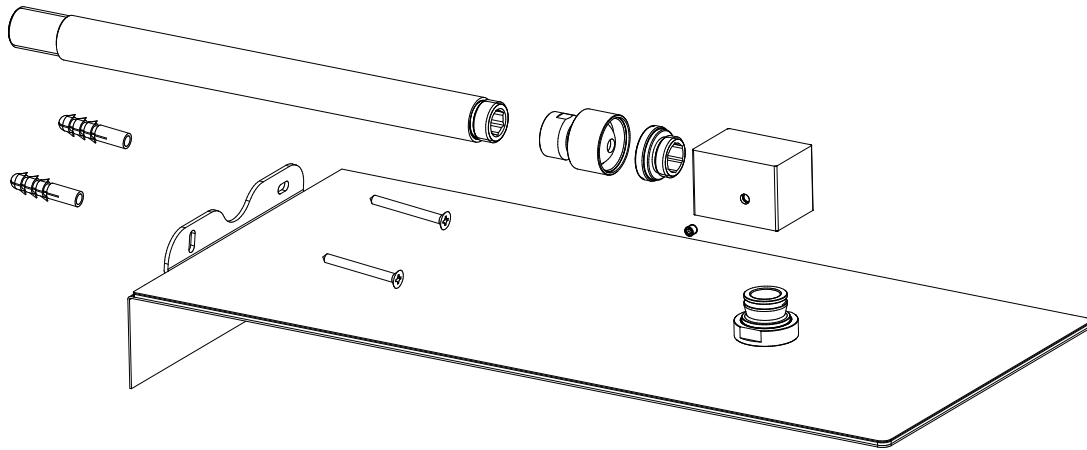
Spring RC-450/200

Wall-Mounted Shower Head

INSTALLATION SEQUENCE

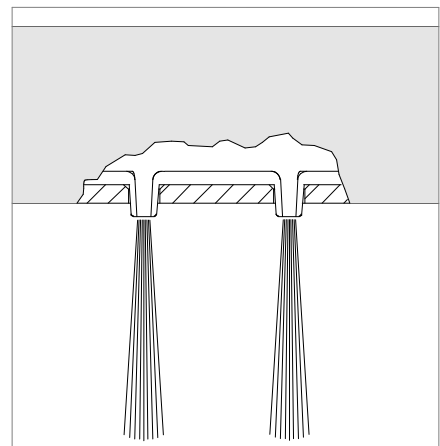
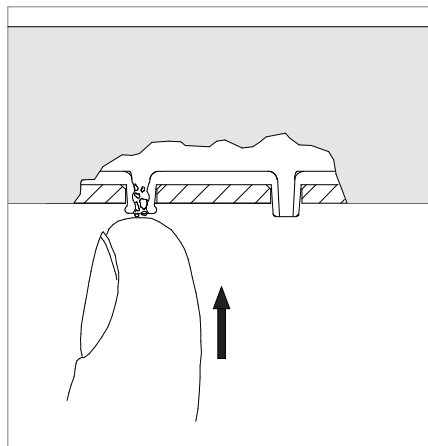
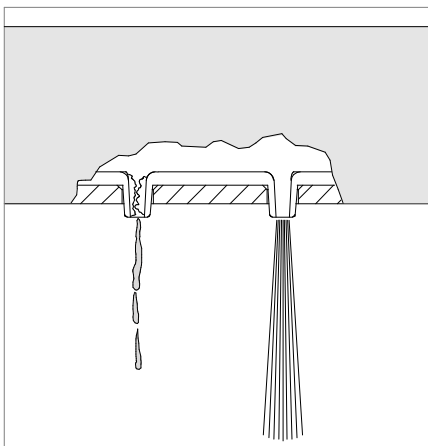
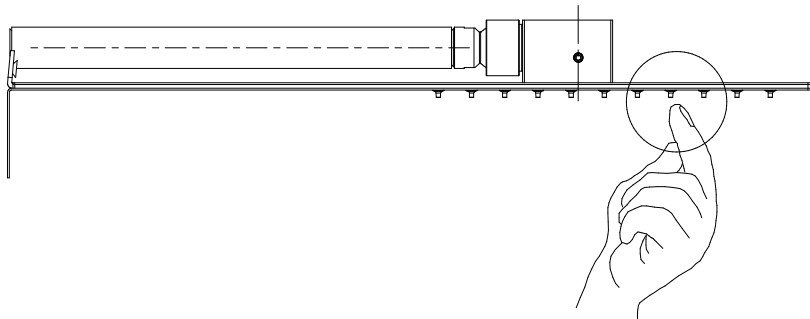
aquatica®

Function : Form : Fashion



INSTALLATION OF WALL-MOUNTED SHOWERHEAD

Screw the arm to the wall piping, then screw the articulated joint to the arm. Screw the connection to the showerhead bracket. Then screw the arm to the bracket. Temporarily fix the showerhead to the square bracket, in order to take the measurements on the wall which is to be drilled. Remove the showerhead. On the measurements taken, drill the wall with an $\varnothing 8.5$ mm helical bit and insert the plugs, insert the showerhead on the bracket fixing it with the headless screws and screw the screws into the plugs using a screwdriver.



aquatica®

Function : Form : Fashion

aquatica®

Function : Form : Fashion

